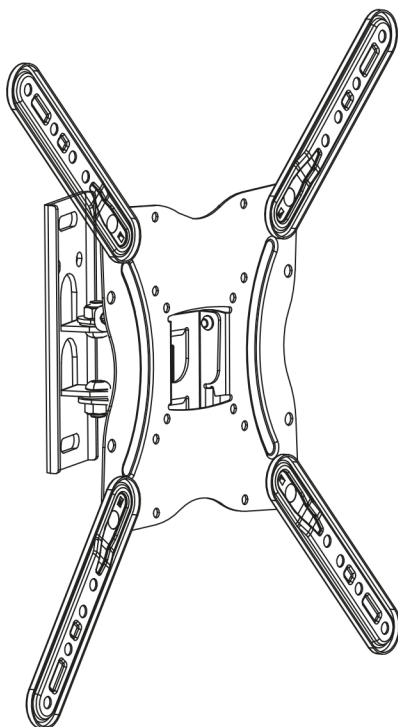


# 13"-55" Articulating TV Wall Mount Bracket



CAUTION: DO NOT EXCEED RATED LISTED WEIGHT. SERIOUS INJURY OR PROPERTY DAMAGE MAY OCCUR!

## VESA

75x75 100x100  
200x100 200x200  
300x300 400x400

MOST

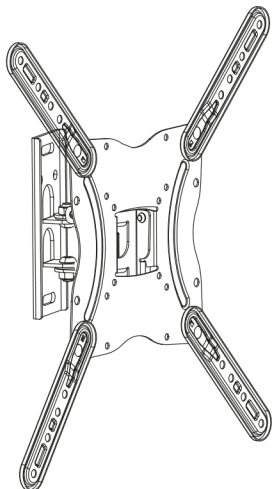
**13" - 55"**  
TVs



Rated

**30kg/66lbs**

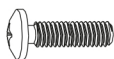
**INSTALLATION MANUAL**



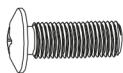
A(x1)



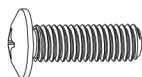
M4x14 (x4)  
M-A



M5x14 (x4)  
M-B



M6x14 (x4)  
M-C



M8x20 (x4)  
M-D



M8x50 (x4)  
M-E



D5 washer (x4)  
M-F



D8 washer (x4)  
M-G



D8xH5(x8)  
M-H



D8xH15(x4)  
M-I



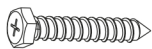
J(x4)



K(x4)



L(x4)



W-A(x4)

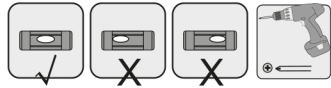
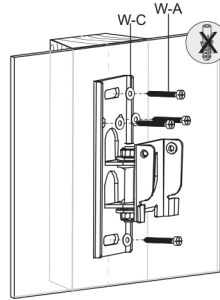
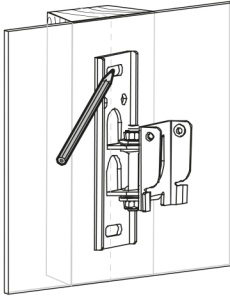
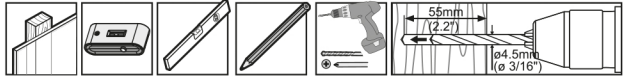


W-B(x4)

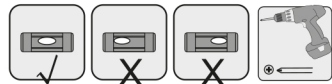
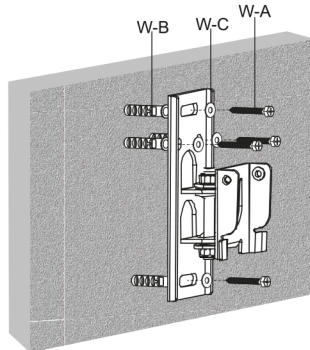
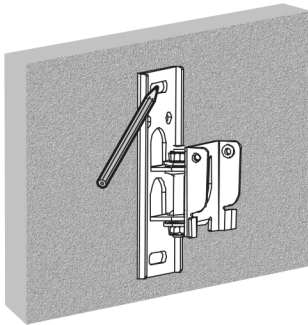


W-C(x4)

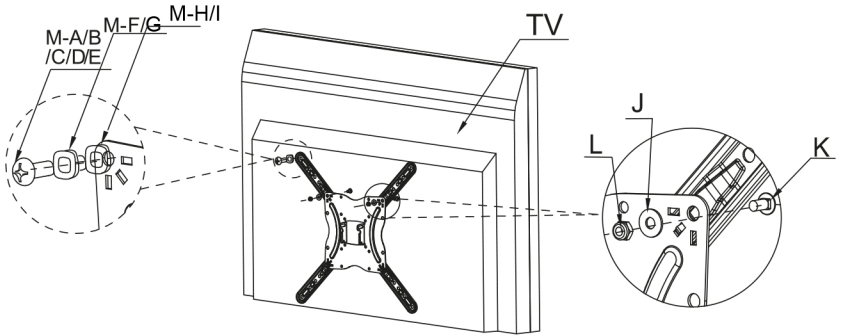
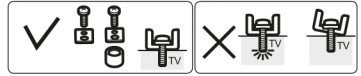
# 1.1



# 1.2



2.



3.

