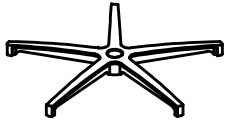


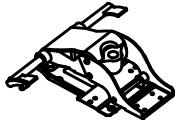
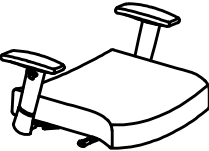
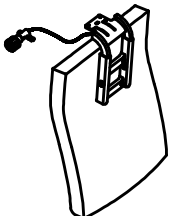







NO.	Parts List	Q'ty
①		X1
②		X1
③		X5
④		X1
⑤		X1
⑥		X1
⑦	 M6X16	X6
⑧	 M8X17	X2
⑨	 M8X16	X4
⑩	 $\phi 6 \times \phi 19 \times t2$	X4
⑪		X1

