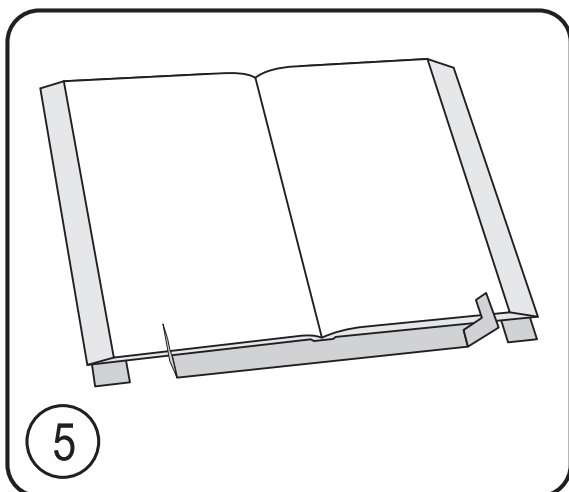
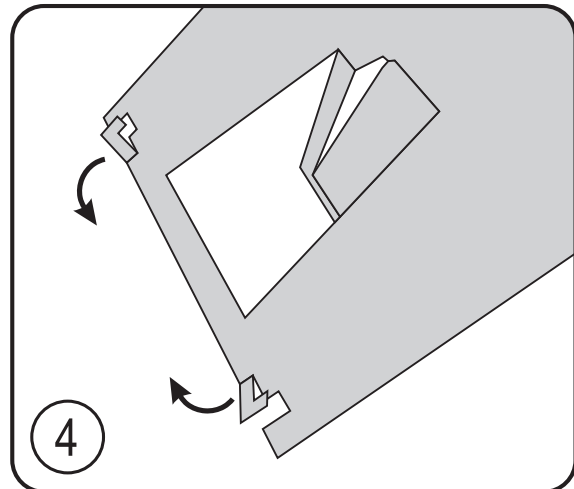
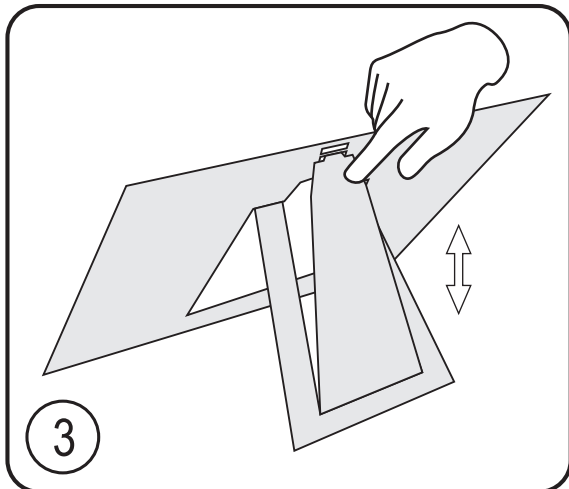
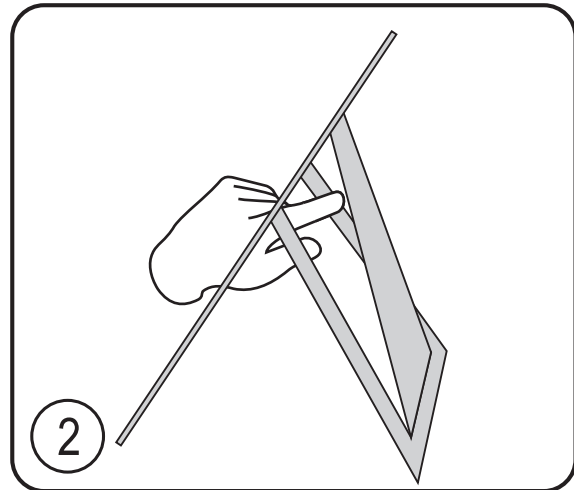
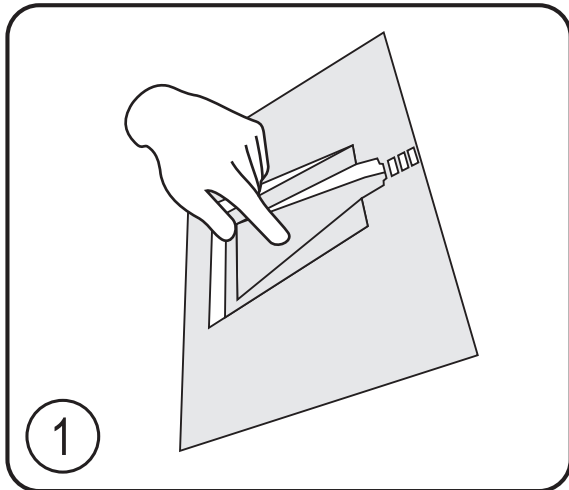


standivarius

How to set up your Libro B book holder



1. Push document holder support
2. Unfold internal rear support leg
3. Select the appropriate angle setting
4. Unfold front book holding support on both sides
5. Place a book on the book holder for convenient work



See the book holder before you buy:
standivarius.com/lb-p

How to set up your book holder:
standivarius.com/lb-i

