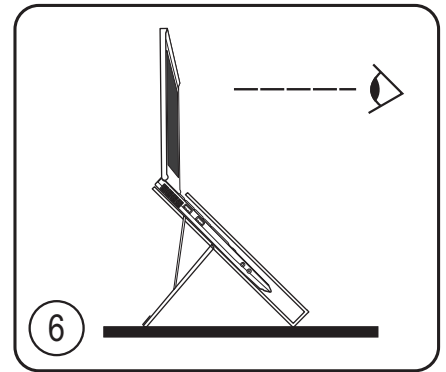
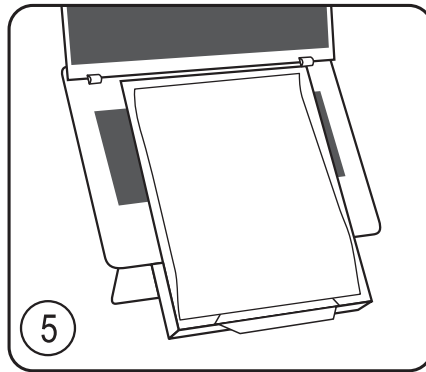
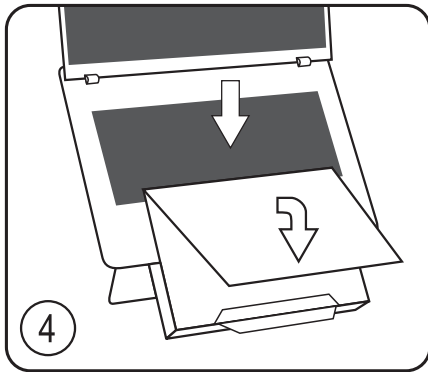
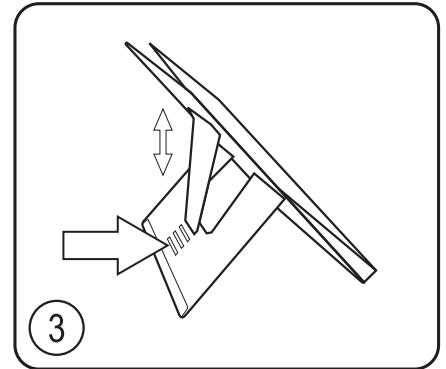
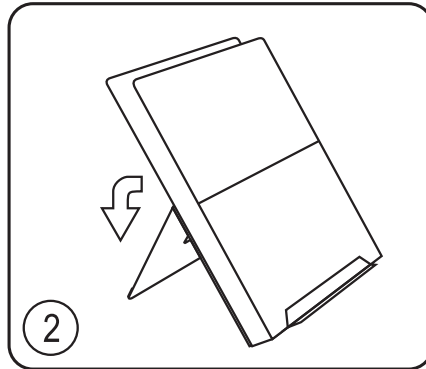
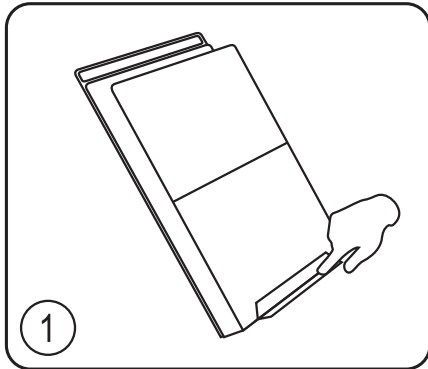


standivarius

How to set-up your Etra laptop stand



1. **Push** to form laptop/document holder

2. **Unfold** rear support

3. **Select** one of four angle settings

4. **Open** laptop holder and place laptop inside

5. **Close** laptop holder and place document on stand

6. **Position** your laptop on your desk about an arm's length away with the screen raised. Add an external mouse and keyboard to create an ergonomic workstation.

