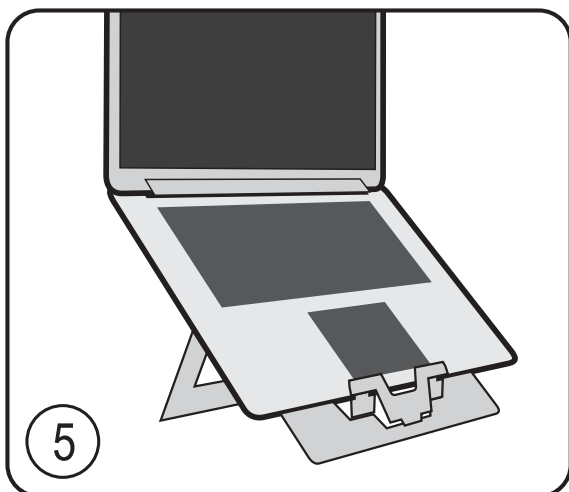
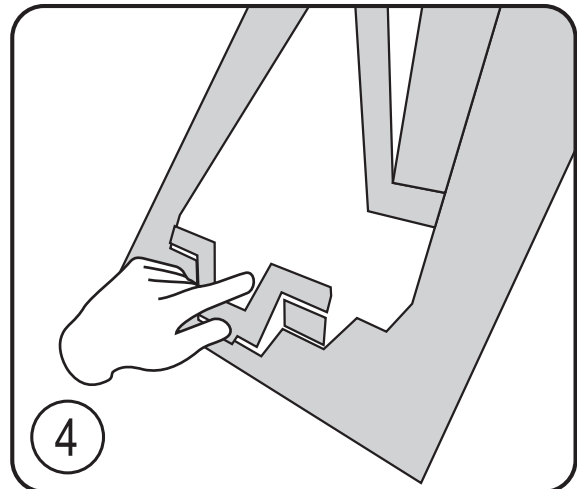
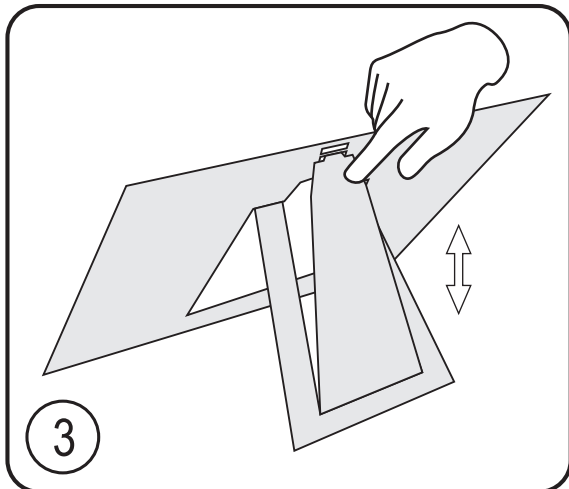
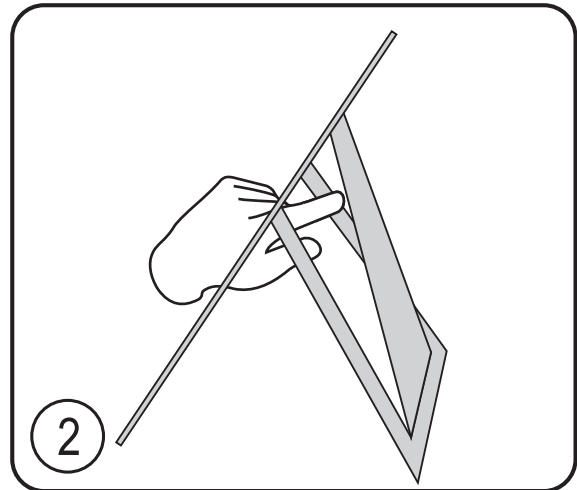
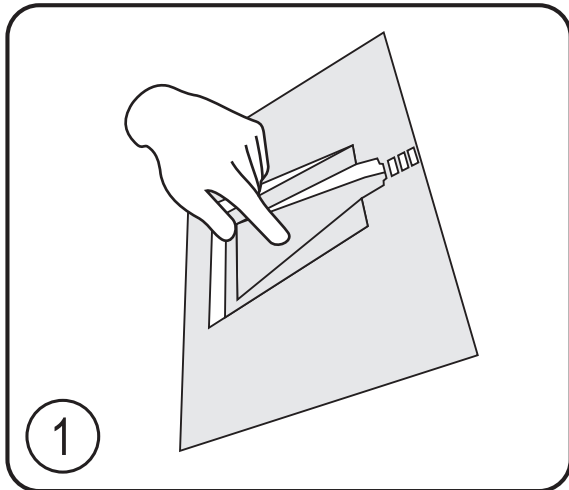


# standivarius

## How to set up your *Ergo Know-Me* laptop stand



1. Push document holder support
2. Unfold internal rear support leg
3. Select the appropriate angle setting
4. Pull out front laptop support
5. Position the laptop stand about an arm-length away on your desk and place a laptop on it for ergonomic work.



See the laptop stand before you buy  
[standivarius.com/pa-p](https://standivarius.com/pa-p)

How to set up your laptop stand:  
[standivarius.com/pa-i](https://standivarius.com/pa-i)

