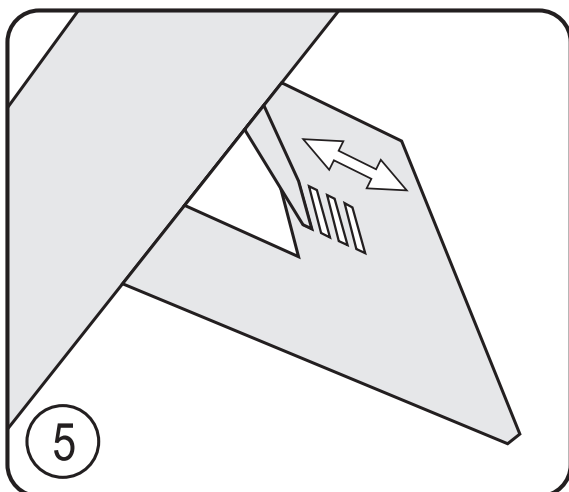
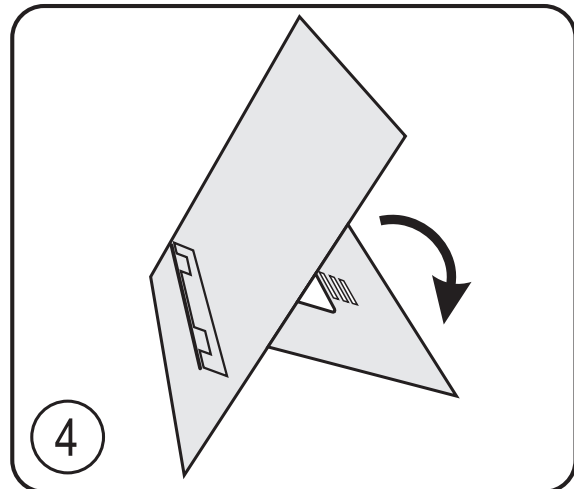
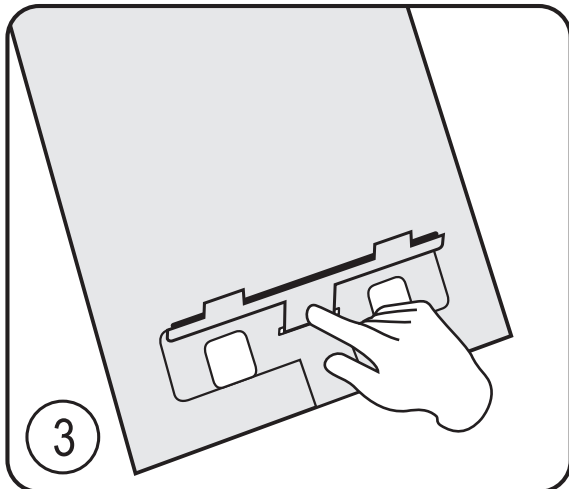
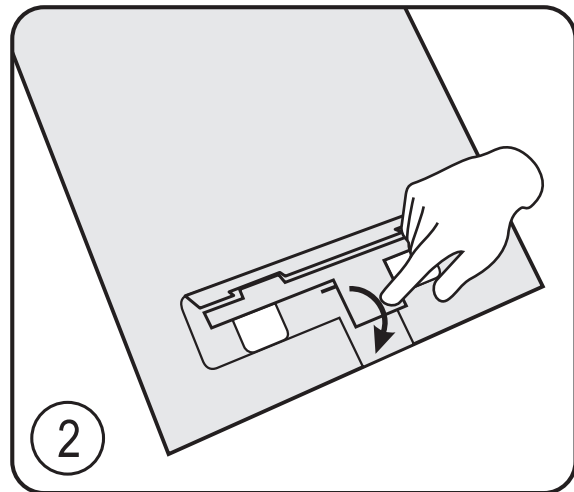
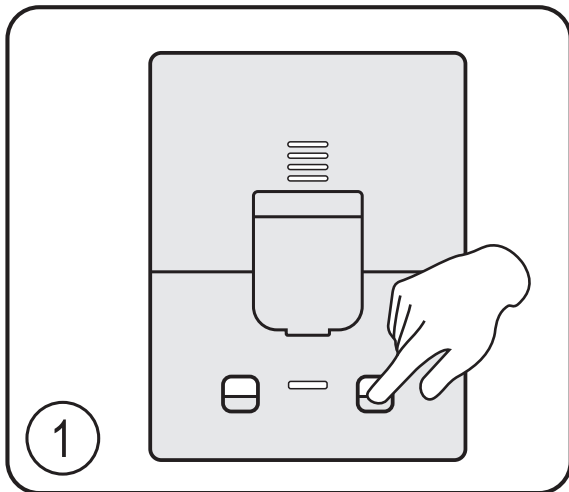


## How to set up your stand-art laptop stand



1. Push laptop support to open
2. Please bend front part of the support
3. Introduce support tongue into the appropriate position until you hear a click sound!
4. Open back support of the laptop stand
5. Insert support leg to form the appropriate inclination angle
6. Place laptop on the stand and start working ergonomically

