



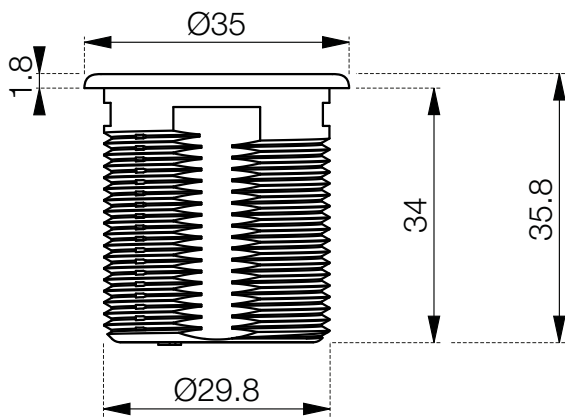
□ 935-PM32W

■ 935-PM32B

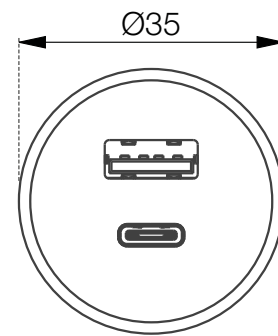
Powerdot MICRO

1 USB Type A Charger, 1 USB Type C Charger (5V/3A)

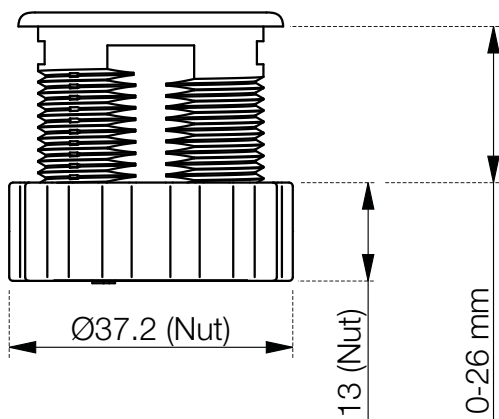
Front view (Grommet)



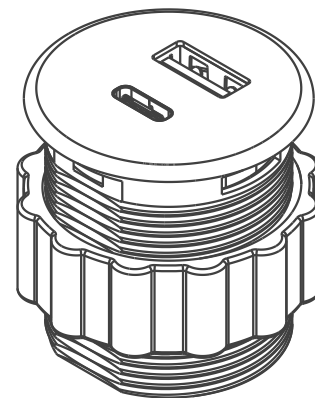
Top view (Grommet)



Front view (Grommet & nut)



Oriented view (Grommet & nut)



Maximum table thickness:
Recommended hole cut:

26 mm
 $\varnothing 30$ mm

Revised
201221