

LEAD ERNEST

24-HOUR OFFICE CHAIR

ERN F4E 1G5 1AN3 - ERN F4E 1G5 1AN4
ERN F4E 1G5 1AP3 - ERN F4E 1G5 1AP4

TECHNICAL SPECIFICATIONS

Ergonomic Office Chair
24-hour office chairs for intensive use
Upholstered backrest with headrest and lumbar support
Upholstered height-adjustable and depth-adjustable seat
Dynamic synchronous mechanism
4D adjustable armrests



CHARACTERISTICS AND FUNCTIONS

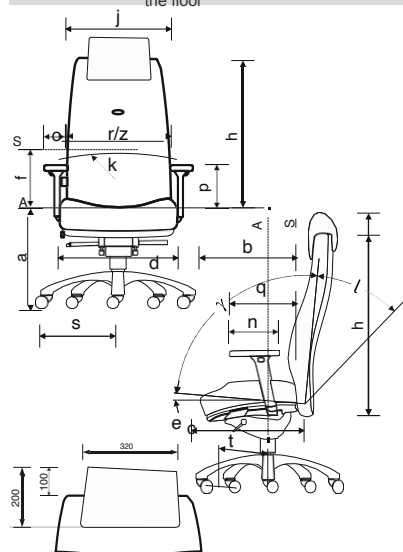
OPTIONAL

BACKREST	Frame	Multi-layer moulded beech wood, double-curved, 12 mm-thick
	Lining material	High resilience moulded polyurethane foam: Density 65 kg/m ³ , thickness 45 mm
	Cover	/
	Functions	Dynamic synchronous 26° permanent contact tilt, locking in 12 positions with safety anti-return system - Height-adjustable headrest, 40 mm travel Depth-adjustable SCHUKRA lumbar system
SEAT	Frame	Multi-layer moulded beech wood, double-curved, 11 mm-thick
	Lining material	High resilience moulded polyurethane foam: Density 65 kg/m ³ , thickness 50 mm
	Cover	3 mm-thick thermoformed ABS protection, textured finish, integrated user instructions
	Functions	Swivels on central column, dual-guided, height-adjustable over 120 mm with 500N gas cylinder Dynamic synchronisation with tilting backrest Depth-adjustable over 50 mm on plate with accessible control on the side of the seat
Seat/backrest connection	Frame	100 x 8 mm steel slide
	Functions	Fixed seat/backrest connection
MECHANISM	Type	Dynamic synchronous mechanism with tension adjustment using side crank
	Adjustments	Dynamic synchronisation with seat and backrest tilt with anti-return system Locking in 12 tilt positions using side lever Reinforced mechanism for people of heavy build, max. capacity 165 kg
	Armrests	Chrome-plated steel support, 75 mm-wide lug, 6 mm-thick - Attachment with 3 metal screws under the seat
ARMRESTS	Sleeve	Black PUR, width, depth and rotation-adjustable
	Adjustments	Height 80 mm over 8 positions using button located at the front Rotation-adjustable ± 30°, depth-adjustable over 50 mm and width-adjustable over 2 x 22.5 mm
	Base	Aluminium 5-leg base Finish: Black or chrome-plated epoxy Contact with the floor: Standard ø50 mm braked castors for soft floor or hard floor

Backrest without headrest – ERNF4x1G4/

Seat not adjustable – ERNF4D/

Reinforced mechanism – ERNF4D1G*6AP*



DIMENSIONS

	min.	max.
a Seat height	420	540
b Seat depth	425	475
c Seat plate depth	490	
d Seat width	470	
e Seat tilt (in degrees)	-4	-12
f Height of point S	210	260
h Seat height	840	
Height of top of backrest	740	
x Headrest adjustable height	740	780
j Backrest width	500	
k Horizontal curve	1800	
l Backrest tilt range (in degrees)	26	
Y Angle between seat and backrest (in degrees)	96	114
n Armrest length	240	
o Armrest width	100	
p Armrest height	200	280
q Armrest/backrest max. forward distance	320	
r Hip room at max. distance between armrests	550	
z Clear width between armrests	440	520
s Max. base span	385	
t Stability	285	

PACKAGING

Number of units	1
Dimensions (mm)	1080 X 710 X 620
Volume	476 dm ³
Weight	32.0 kg
Material	Corrugated cardboard DDF 2-2 (NF Q12-008)
Sealing	Gummed paper, plastic strapping
Delivery	3 pieces, assembly and user instructions

CONFORMITY TO STANDARDS Values

ISO 9001: 2015 / ISO 14001 / 2015
TUV CERTIFICATION – ID: 09110087092

OEC (Office Excellence Certifié)
NF ENVIRONMENT
Certificate: NF-OEC-EVER-PLUS_AMB006683_20200322

NF EN 1335-1 – April 2020
Certificate of conformity

Chair category: **B**

GPEM D2-2000
Fire rating: C / CF
Certificate: D2-2000_EVER_EVER-PLUS_D2-14-025_CF

Navailles
Rond-pont d'Espagne, 40700 HAGETMAU – FRANCE
tél. +33(0)5 58 79 50 50 | fax +33 (0)5 58 79 39 10
info@navailles.fr | www.navailles.fr



Management System
ISO 9001:2015
ISO 14001:2015
www.tuv.com
ID: 091009082